

**Hessequa Municipality**



**MUNICIPAL SUPPLY CHAIN MANAGEMENT  
INVITATION TO SUBMIT CLOSED QUOTATION  
SUPPLY AND DELIVERY OF WATER METERS**

RQ Nr: 54901

24 May 2017

**Dear Sir/Madam**

Please provide a written quotation for the supply of goods and / or services as detailed in the list attached.

The quotation must be submitted, on the official letterhead of your business, by the one of the following means for the attention of Mrs M Gunter

- Fax: (086) 401 5197
- Email [marese@hessequa.gov.za](mailto:marese@hessequa.gov.za)
- Per Hand at the Hessequa Municipality SCM offices, Post Office Building, 19 Main Road, Riversdale, 6670

**Quotations must reach the Municipality by no later than 12:00 on 31 May 2017**

The following conditions will apply to all quotations:

- Prices quoted must be firm, inclusive of VAT and where applicable for delivery to the address indicated below. The total amount of the quotation must also be clearly indicated;
- Please refrain from quoting on goods that are out of stock or not usually stocked by your company, or indicate on your quotation that this is the case and what the delivery period on those items will be;
- If your quotation is accepted, goods and/or services must be supplied and delivered to the below mentioned address, accompanied by your delivery note and invoice (if possible);
- Quotations must to be valid for a period of 30 days;
- The delivery period must be indicated.

- The closed quotation is subjected to the General Conditions of Contract as contained in MFMA Circular 25 of 2005 and the conditions contained in Hessequa Municipal SCM POS section 3.2.4.

If your quotation does not comply with above stated conditions, your quotation will not be considered.

If you have not received a response from the Municipality within thirty (30) days after the closing date of the quotation, please regard your quotation as unsuccessful.

Should you be interested in wanting to know to who the successful bidder was, you may consult our website at [www.hessequa.gov.za](http://www.hessequa.gov.za) where monthly reports on awards will be published.

Quotations will be evaluated and adjudicated in terms of the Preferential Procurement Policy Framework Act (Act 5 of 2000), The Preferential Procurement Regulations, 2017 and the Hessequa Municipality's Supply Chain Management Policy, for which 80 points will be allocated in respect of price and 20 points in respect of B-BBEE contribution.

The Municipality reserves the right to withdraw any invitation for closed quotations and/or to re-advertise or to reject any quotation or to accept a part of it. The Municipality does not bind itself to accepting the lowest quotation.

Any Prospective Service Provider must make sure that they are registered and are valid on the Database of Hessequa Municipality and/or on the Centralised Supplier Database (CSD) and that they are in possession of a Valid Tax Clearance Certificate.

Please address any technical enquiries regarding the specifications to Mr Etienne Thuizen Tel: 028 713 8020 or any Supply Chain Management related enquiries to Mrs M Gunter at Tel: 028 713 8082.

**Important note: a valid original or certified B-BBEE certificate must be submitted with the documentation. (MBD 6.1 Preference Points Claim form need to be completed to claim points. NB- Only points claims will be awarded. The MBD 6.1 is available from the municipal website at [www.hessequa.gov.za](http://www.hessequa.gov.za) under the tab 'GENERAL INFORMATION TENDERS' or at the Supply Chain Management offices at Post Office Building, 19 Main Road, Riversdale.)**

## **QUOTATION MUST BE PREPARED FOR:**

5 X 150MM METERS. H4000 FLANGED  
10 X 159-182MM VJ FLANGED ADAPTORS.  
3 X 100MM METER. H4000 FLANGED  
6 X 109-128MM VJ FLANGED ADAPTORS.  
3 X 80MM METERS. H4000 FLANGED  
6 X 88-103MM VJ FLANGED ADAPTORS.  
2 X 50MM METERS. H4000 FLANGED  
4 X 59-72MM VJ FLANGED ADAPTORS.  
1 X 200MM INTERNAL MECHANISM  
1 X 100MM INTERNAL MECHANISM

### **H4000 Woltmann - Type**

#### **Legal Requirements**

Water meters used in this application in nominal bore sizes 40mm, 50mm 80mm and 100mm must comply with S.A.N.S 1529 -1:2006 and with the requirements of the N.R.C.S and section 18 of the Trade Metrology Act No.77 of 1973 and regulation 80 of Part II of the Trade Metrology Regulations.

All meter sizes 40mm, 50mm, 80mm and 100mm must be tested and sealed within the borders of South Africa by an authorized official (V.O) in a South African National Accreditation System (S.A.N.A.S) Accredited Laboratory in Terms of S.A.N.S 10378. Proof by means of a certification of the above-mentioned standards should be included in the tender document.

#### **Performance Specifications**

The Water Meter must be of the Woltmann WP helical vane inferential velocity type with the following capabilities: -

<b>METER SIZE(mm)</b>	<b>40</b>	<b>50</b>	<b>80</b>	<b>100</b>	<b>150</b>	<b>200</b>	<b>250</b>	<b>300</b>
Max. Flowrate $q_s \pm 2\%$ (m <sup>3</sup> /h)	90	90	200	250	600	1000	1600	2000
Permanent flowrate $q_p \pm 2\%$ (m <sup>3</sup> /h)	50	50	120	180	450	700	1000	1500
Transitional Flowrate $q_t \pm 2\%$ (m <sup>3</sup> /h)	1.0	1.0	2.0	2.0	4.0	6.0	11.0	15.0
Minimum Flowrate $q_{min} \pm 5\%$ (m <sup>3</sup> /h)	0.35	0.35	0.5	0.6	1.8	4.0	6.0	12.0
Starting Flow(m <sup>3</sup> /h)	0.15	0.16	0.22	0.25	0.90	1.2	1.8	1.8
Maximum Working Pressure (KPa)	1600	1600	1600	1600	1600	1600	1600	1600
Body Length(mm)	300	200	200	250	300	350	450	500

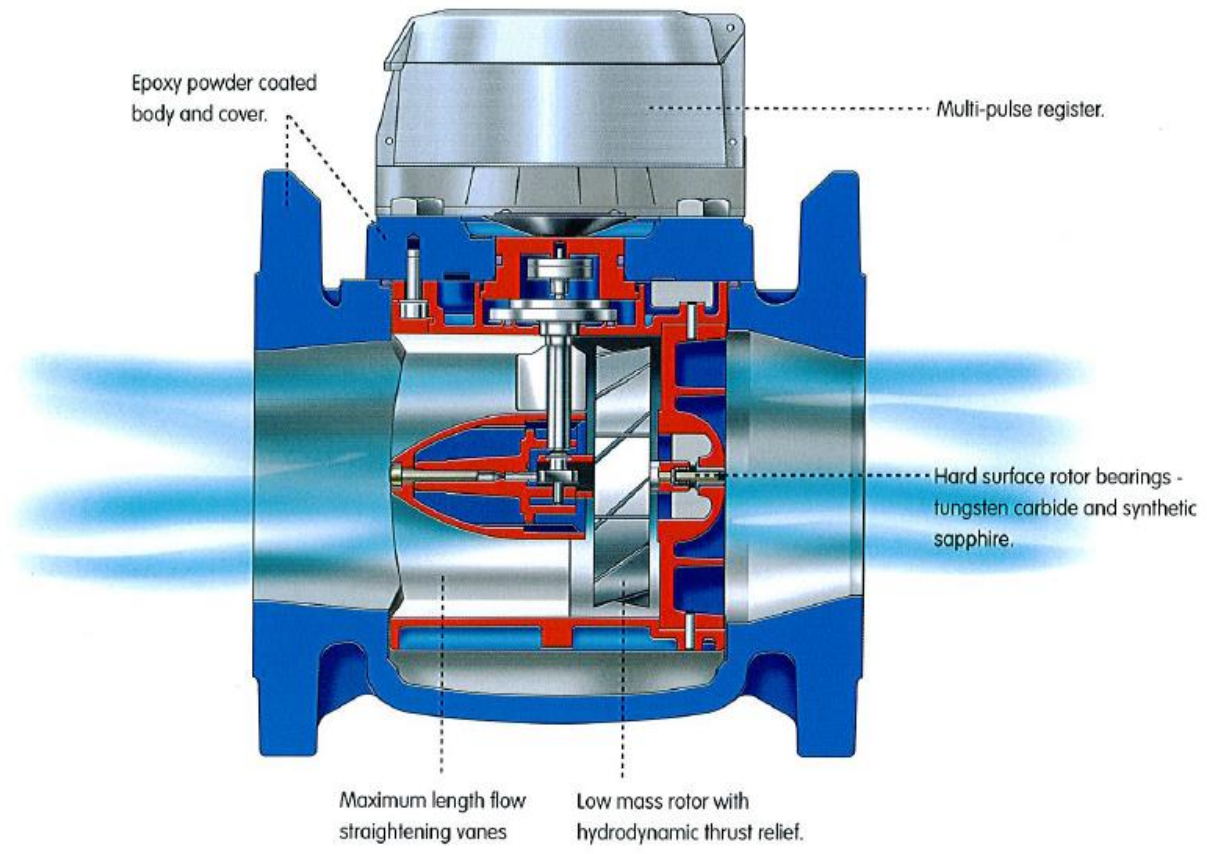
#### **In addition, the meters offered must comply with the following: -**

- Epoxy coated cast iron body
- Counter to be encased in a Copper can with mineral glass lens sealed to IP 68 standards to prevent condensation from forming under the lens, thus providing clear reading in any environment.

- Scratch resistant mineral glass counter window able to withstand the impact of a 25mm steel ball dropped onto the centre from a height of one meter.
- Counter unit must be pre-equipped for the fitment of an optional inductive Bi-Directional pulse generator suitable for generating pulses for logging, AMR etc.
- Meter must have the following features to facilitate convenience of on-site replacement:
  - a) Fully shrouded, pre-calibrated replaceable mechanism.
  - b) Helical vane fitted in a shrouded cartridge designed to direct the entire volume of water through the measuring element ensuring body impact is negligible on the accuracy.
- Must be suitable for Vertical, Horizontal or Inclined Installation
- Meters sizes 40mm to 150mm must be capable of measuring reverse flows within the same Class B accuracy envelope as per the S.A.N.S 1529-1:2006 for forward flow, i.e.  $\pm 2\%$  qt to qs
- Thrust pads and stub spindles to be manufactured from Tungsten Carbide for maximum longevity
- The meter must have jeweled rotor bearings for maximum wear life.
- Meter must be provided with a pressure tapping (1/4 BSP), into which a pressure gauge or pressure transducer can be fitted to measure the downstream pressure of the meter.
- Meter should be suitable for use with water temperatures up to 50°C and maximum working pressure of 1 600 KPa.
- All internal plastic components to be constructed of virgin materials.
- The meter must perform within the legal accuracy specification, with a length of pipe, the same diameter as the meter, three diameters long, free from fitting and valves, fitted at the inlet to the meter body and one diameter long fitted to the outlet of the meter body.
- Each Meter must be backed with a two year warranty against faulty workmanship and/or materials.

### **General**

Spare parts for all Water Meters offered must be available in South Africa and still be available for a period of ten years after the purchase of the water meter.

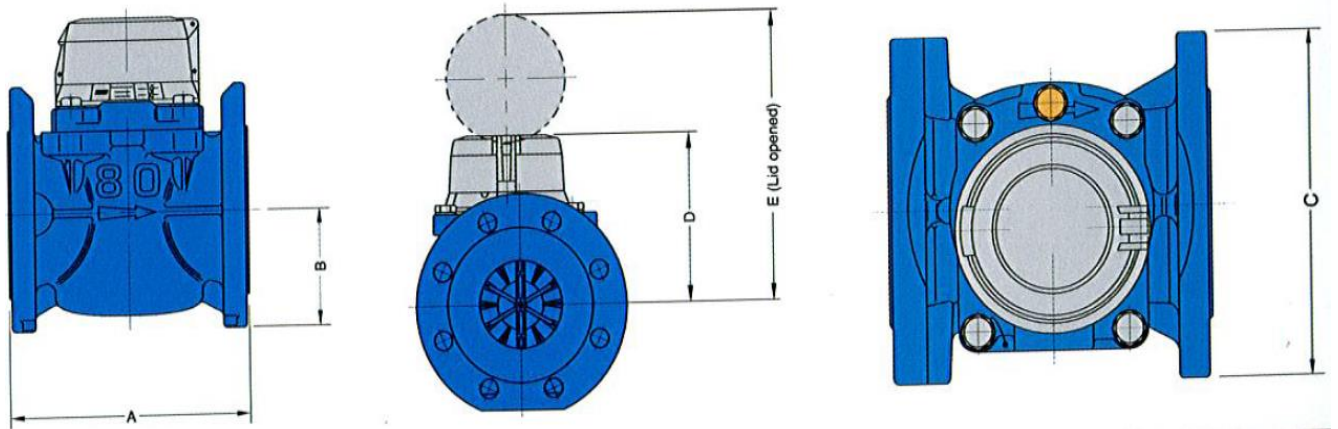


Type	Size	Quantity
H4000 Woltmann-type meter	150mm Water Meters H4000 Flanged	5
	159-182mm VJ Flanged Adaptors	10
H4000 Woltmann-type meter	100mm Water Meters H4000 Flanged	3
	109-128mm VJ Flanged Adaptors	6
H4000 Woltmann-type meter	80mm Water Meters H4000 Flanged	3
	88-103mm VJ Flanged Adaptors	6
H4000 Woltmann-type meter	50mm Water Meters H4000 Flanged	2
	59-72mm VJ Flanged Adaptors	4
H4000 Woltmann-type meter	200mm Internal mechanism	1
H4000 Woltmann-type meter	100mm Internal mechanism	1



### Dimensions and weights

Meter size(mm)	40	50	80	100	150	200	250	300
Overall length (ISO)(A) mm	300	200	200	250	300	350	450	500
Height (B) mm	78	78	94	106	135	165	198	225
Height(D) mm	142	142	153	153	200	222	240	240
Height (E) mm	250	250	261	261	30	330	348	348
Weight kg	11.8	12.2	14.1	19.4	37.5	47.5	82	104



**\*THE DELIVERY PERIOD MUST BE INDICATED ON QUOTATION.**

**GOODS MUST BE DELIVERED TO:**

**HESSEQUA MUNICIPALITY HEIDELBERG**

**NIEKERK STREET**

**HEIDELBERG**

**6665**

**CONTACT PERSON: MR ETIENNE THUIZEN, TELNO 028-7138020.**